

FLOW[®] INSTRUCTION MANUAL

WARNING

Use proper safety equipment before handling. Ensure firearm is not loaded before installing or removing the suppressor. Only operate the suppressor system with a serviceable firearm and ammunition of the correct caliber. Do not disassemble the suppressor system beyond required level, as shown in this manual, for standard maintenance.

The suppressor system can reach extremely hot temperatures. Use caution before handling after use. Avoid contact with skin or clothing when hot. Improper installation or use may result in serious injury or death.

Discharging firearms in poorly ventilated areas, cleaning firearms or handling ammunition may result in exposure to lead and other substances, which can cause birth defects, reproductive harm and other serious physical injury. Ensure adequate ventilation at all times. Wash hands thoroughly after exposure.

LEGAL WARNING

Suppressors (often referred to as silencers, cans, or mufflers) are controlled under both the National Firearms Act (NFA) (26 U.S.C. §5849 et seq.) and the Gun Control Act (18 U.S.C. §921 et seq.).

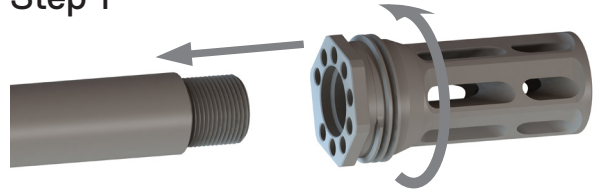
Storing an unlocked sound suppressor at home with a person who is not registered to possess the device may be construed as “constructive possession” by the ATF, which may be punishable by law.

This product is manufactured in the USA by HUXWRX Safety Co for sale within the USA only. Export of this commodity is strictly prohibited without a valid export authorization from the U.S. Department of State - DDTC and/or the U.S. Department of Commerce - BIS as prescribed in ITAR 22 CFR Part 120-130 and/or EAR 15 CFR Part 774.

It is your responsibility to check your local state and federal laws for ownership, hunting, transferring and transporting laws regarding silencers.

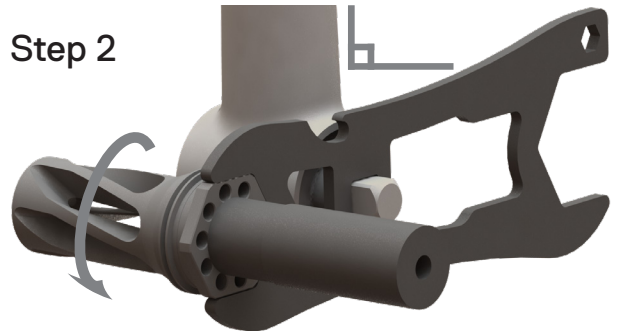
MOUNT INSTALL

Step 1



FLOW Suppressors require a HUXWRX QD muzzle device. Ensure all mounting surfaces are clean before beginning installation.

Step 2



Thread the QD muzzle device directly onto the barrel of the host firearm. Using a HUXWRX QD wrench with torque wrench, index the hex flats on the muzzle device and torque it to approximately 33ft-lbf (45 Nm).

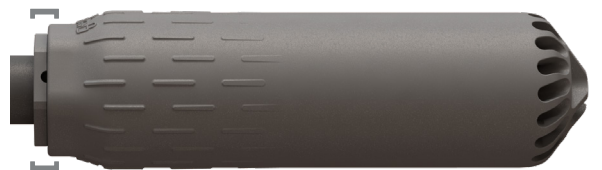
Ensure the QD wrench is oriented 90° to the torque wrench.

SUPPRESSOR INSTALL

Ensure all threads and taper mounting surfaces are clean.



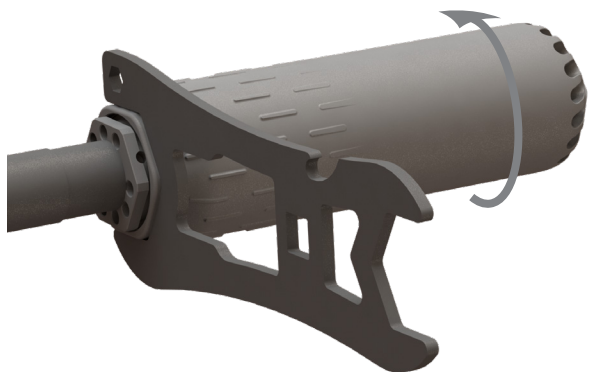
Thread the suppressor counter-clockwise onto the QD muzzle device until hand-tight. Reference the lock/unlock icon on the suppressor to verify rotation direction.



The suppressor should be firmly seated.



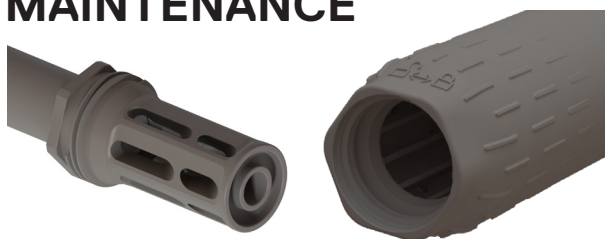
SUPPRESSOR REMOVAL



By hand, rotate the suppressor clockwise. A wrench can also be used to remove the suppressor.

WARNING: Suppressor may be hot.

CLEANING AND MAINTENANCE



Clean the QD muzzle device and suppressor mounting surfaces. Buildup can be removed with CLP-type cleaners and a nylon or wire brush.

To clean inaccessible areas, submerge the suppressor in CLP-type cleaners for 24 hours. After soaking, allow excess solvent to drain.

NOTE: Additional debris and solvent may “shoot out” of the suppressor during subsequent fire.

SUPPRESSOR PRO TIPS

Installation & Removal

1. Not all barrel threads are concentric. To check the concentricity of the system, use an alignment rod of the proper caliber. Available at huxwrx.com.
2. Red Loctite can be used when installing the muzzle device, in addition to proper torque, to ensure it does not come loose.
3. The effort to remove the suppressor after firing may be increased.

Cleaning & Maintenance

1. Pre-soaking the suppressor in a CLP-type cleaner will decrease carbon and copper buildup
2. Clean the suppressor every 2500–3000 rounds. Frequent cleaning may extend suppressor life.
3. Ultrasonic cleaners are safe to use on FLOW suppressors.

WARRANTY

There is a limited lifetime warranty against all manufacturing defects and damages caused by the normal use of this product. The manufacturer will repair or replace free of charge any suppressor manufactured by or, at the direction of, HUXWRX Safety CO. LLC.

The product is sold “as is” with no further implied contractual rights or warranties beyond those expressly stated herein.

Visit www.huxwrx.com for more warranty information.